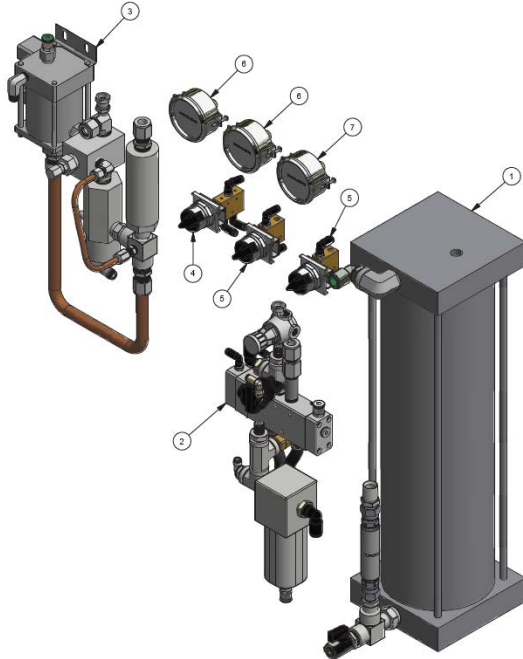


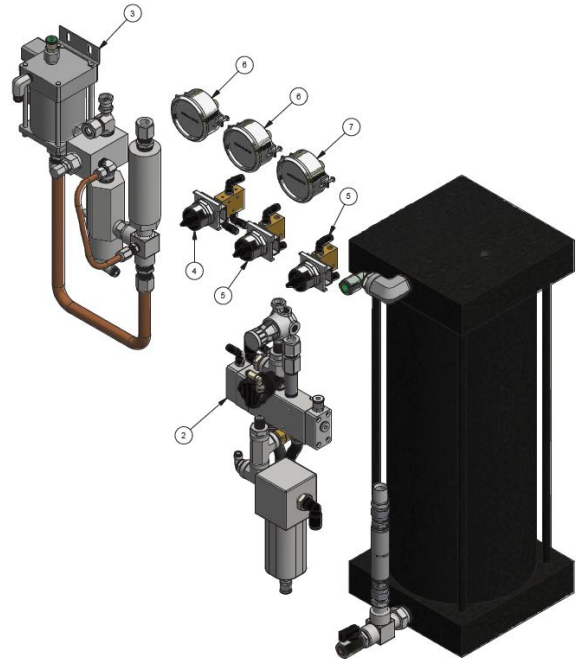


M.W. WATERMARK™ HYDRAULICS REBUILD KITS

630 Hydraulics Field Rebuild Kit (40034743)



800 Hydraulics Field Rebuild Kit (40034744)



Includes:

Item	Qty.	Part #	Description
1	1	40034733	630 Hydraulic Reservoir Assembly Kit
2	1	40000398	Air Module Assembly Press 630-800-1000
3	1	40000380	Hydraulic Module 630-1000
4	1	40000135	Switch Assembly Open/Close-Selector
5	2	40000136	Switch Assembly On/Off
6	2	40000107	Gauge 0-6000 PSI 2.5" Panel Mount 1/4" MPNT w/ Bracket
7	1	40000106	Gauge 0-10,000 PSI 2.5" Lower Mount 1/4" NPT
8	1	40000760	Kit Colored Air Tubing for Press

Includes:

Item	Qty.	Part #	Description
1	1	40034734	800 Hydraulic Reservoir Assembly Kit
2	1	40000398	Air Module Assembly Press 630-800-1000
3	1	40000380	Hydraulic Module 630-1000
4	1	40000135	Switch Assembly Open/Close-Selector
5	2	40000136	Switch Assembly On/Off
6	2	40000107	Gauge 0-6000 PSI 2.5" Panel Mount 1/4" MPNT w/ Bracket
7	1	40000106	Gauge 0-10,000 PSI 2.5" Lower Mount 1/4" NPT
8	1	40000760	Kit Colored Air Tubing for Press

Optional Equipment for the 630 & 800 Press:

630 Press

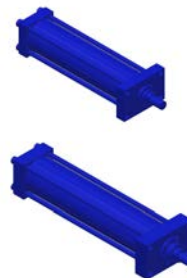
40000132P Cylinder 4" x 18" 630mm Press Threaded End Painted Call for Pricing

800 Press

40000953P Cylinder 6" x 24" 800mm Press Painted (Threaded) Call for Pricing

Bulkhead Fittings:

40000394	Fitting Elbow Male - 8 MSAE X 1/2" Tube Steel	Call for Pricing
40000395	Fitting Connector Male - 8 MSAE X 1/2" Tube Steel	Call for Pricing
40000396	Fitting Bulkhead Union 1/2" Tube Steel 4,000 PSI	Call for Pricing
40001685	Fitting Bulkhead Elbow 90 Deg 1/2" Tube Steel	Call for Pricing
51000000	Service and Installation of Retrofit Kits	Call for Pricing



**Aftermarket Sales Team
Contact Info:**

Brian Anderson
616.377.7583
banderson@mwwatermark.com

Al Raasch
616.377.7580
araasch@mwwatermark.com