

**COATING SPECIFICATION**

THIS PROJECT CONTAINS COATINGS AND GALLONS BELOW

**FILTER PRESS:** TNEMEC TRAFFIC BLUE

**DUMPSTER:**

**DRIP TRAYS:**

**CLARIFIER:**

**INSIDE COATING:**

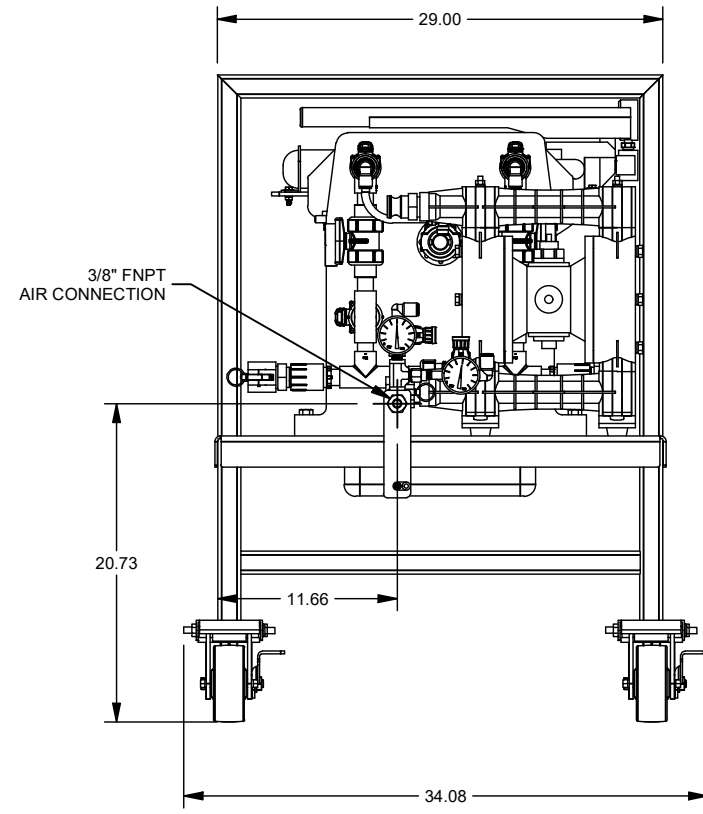
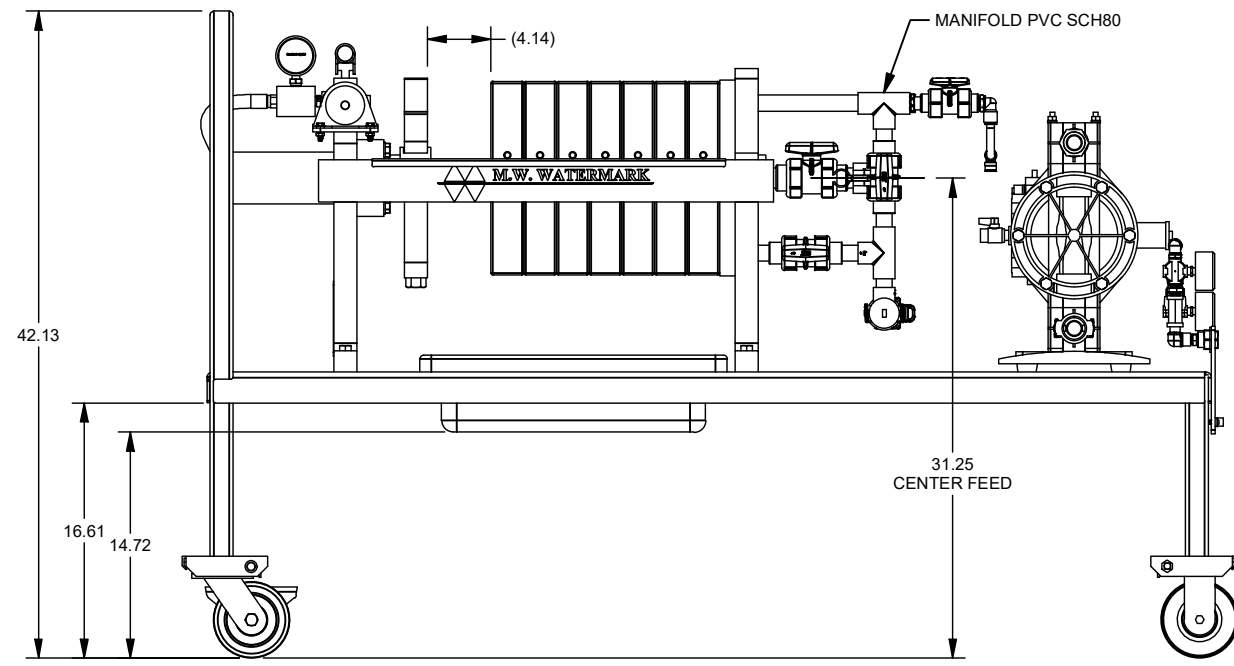
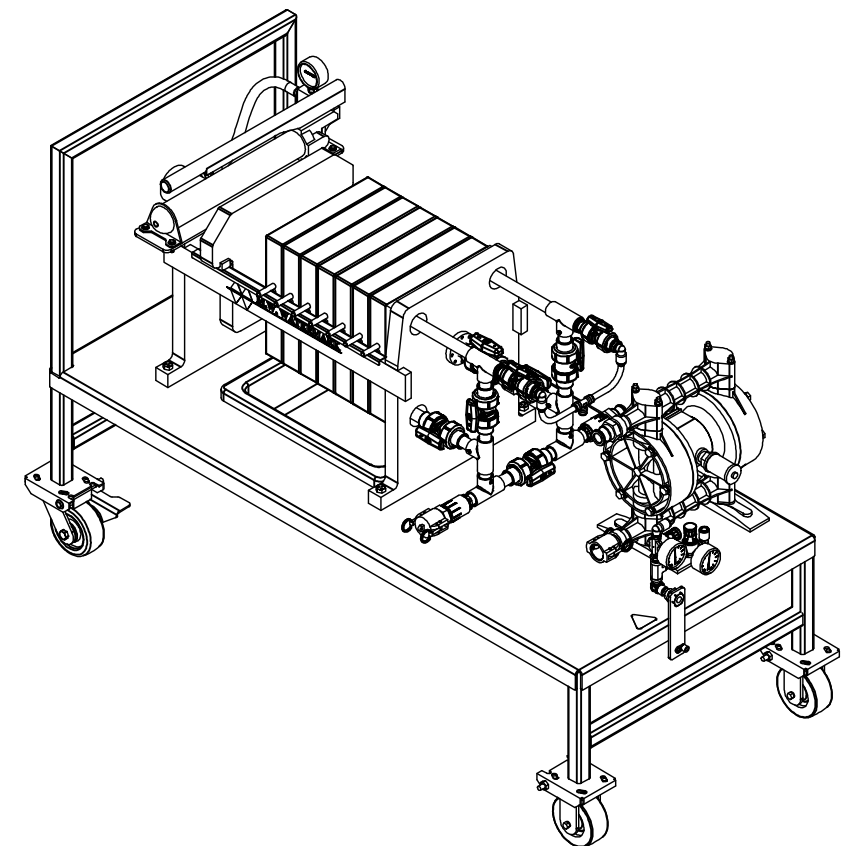
**OUTSIDE COATING:**

**ADDITIONAL EQUIPMENT:**

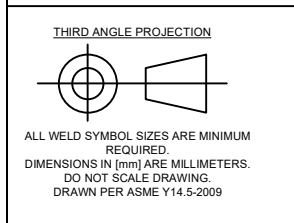
**CART WELDMENT:** TNEMEC TRAFFIC BLUE

**SPECIAL NOTES:**

REFER TO DRAWING 40013170 FOR COATING NOTES



APPROXIMATE SHIPPING WEIGHT: 700 LBS  
 APPROXIMATE OPERATING WEIGHT: 724 LBS  
 BASED ON CAKE WEIGHT OF 80 LBS / CU FT.




UNLESS OTHERWISE SPECIFIED ALL DIMENSIONS ARE IN INCHES AND TOLERANCES TO BE AS FOLLOWS.

FABRICATION	MACHINE
.XX ± .06	.XX ± .03
[X ± 2]	[X ± .005]
< ± 2	[X ± .1]
	[X ± .1]
	< ± 1°

REV	DESCRIPTION	DATE	BY	ECN	REV	DESCRIPTION	DATE	BY	ECN
01	REMOVED CLOTH FROM BOM	05-20-22	JLR	Z20247					
00	RELEASED FOR PRODUCTION	05-09-22	JLR	NA					

COMPANY CONFIDENTIAL  
 THIS DOCUMENT AND ALL INFORMATION CONTAINED HEREIN ARE THE PROPERTY OF M.W. WATERMARK AND/OR ITS AFFILIATES. THE DESIGN CONCEPTS AND INFORMATION CONTAINED HEREIN ARE PROPRIETARY TO M.W. WATERMARK AND ARE SUBMITTED IN CONFIDENCE. THEY ARE NOT TRANSFERABLE AND MUST BE USED ONLY FOR THE PURPOSE FOR WHICH THE DOCUMENT IS EXPRESSLY LOANED. THEY MUST NOT BE DISCLOSED, REPRODUCED, LOANED OR USED IN ANY OTHER MANNER DETRIMENTAL TO THE INTEREST OF M.W. WATERMARK. ALL PATENT RIGHTS ARE RESERVED. UPON THE DEMAND OF M.W. WATERMARK, THIS DOCUMENT, TOGETHER WITH ALL COPIES AND EXTRACTS, AND ALL RELATED NOTES AND ANALYSES, MUST BE RETURNED TO M.W. WATERMARK OR DESTROYED AS INSTRUCTED BY M.W. WATERMARK. ACCEPTANCE OF THE DELIVERY OF THIS DOCUMENT CONSTITUTES AGREEMENT TO THESE TERMS AND CONDITIONS.

DWG BY JLR	DATE 5/9/2022	TITLE FP01602 - FP320G32L-6-0.3MXX
CKD BY	DATE	CLIENT
FILE: 40045985.idw	SALES ORDER NUM:	 <a href="http://mwwatermark.com">mwwatermark.com</a>
SCALE: NONE	SERIAL NUMBER 40045985	
		REV 01