

COATING SPECIFICATION

THIS PROJECT CONTAINS COATINGS AND GALLONS BELOW

FILTER PRESS: STD TRAFFIC BLUE

DUMPSTER: STD TRAFFIC BLUE

DRIP TRAYS:

CLARIFIER:

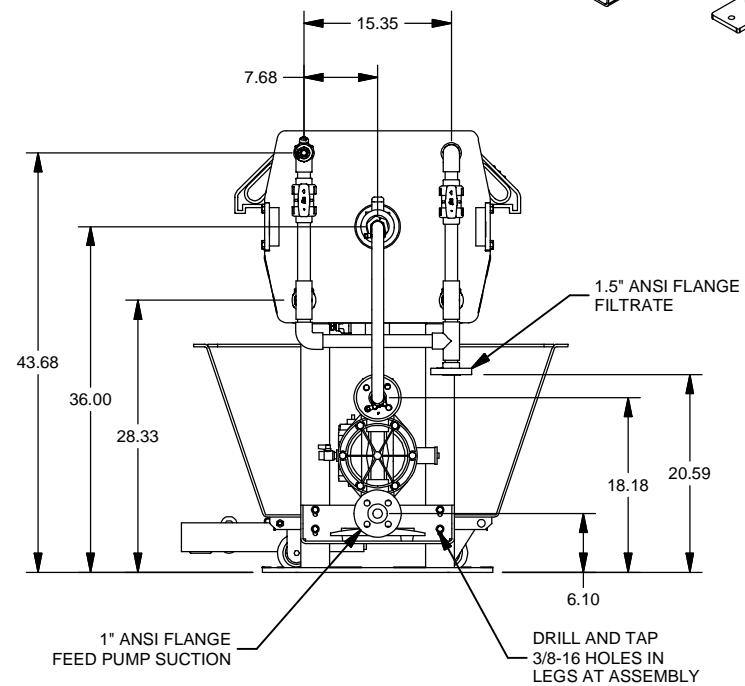
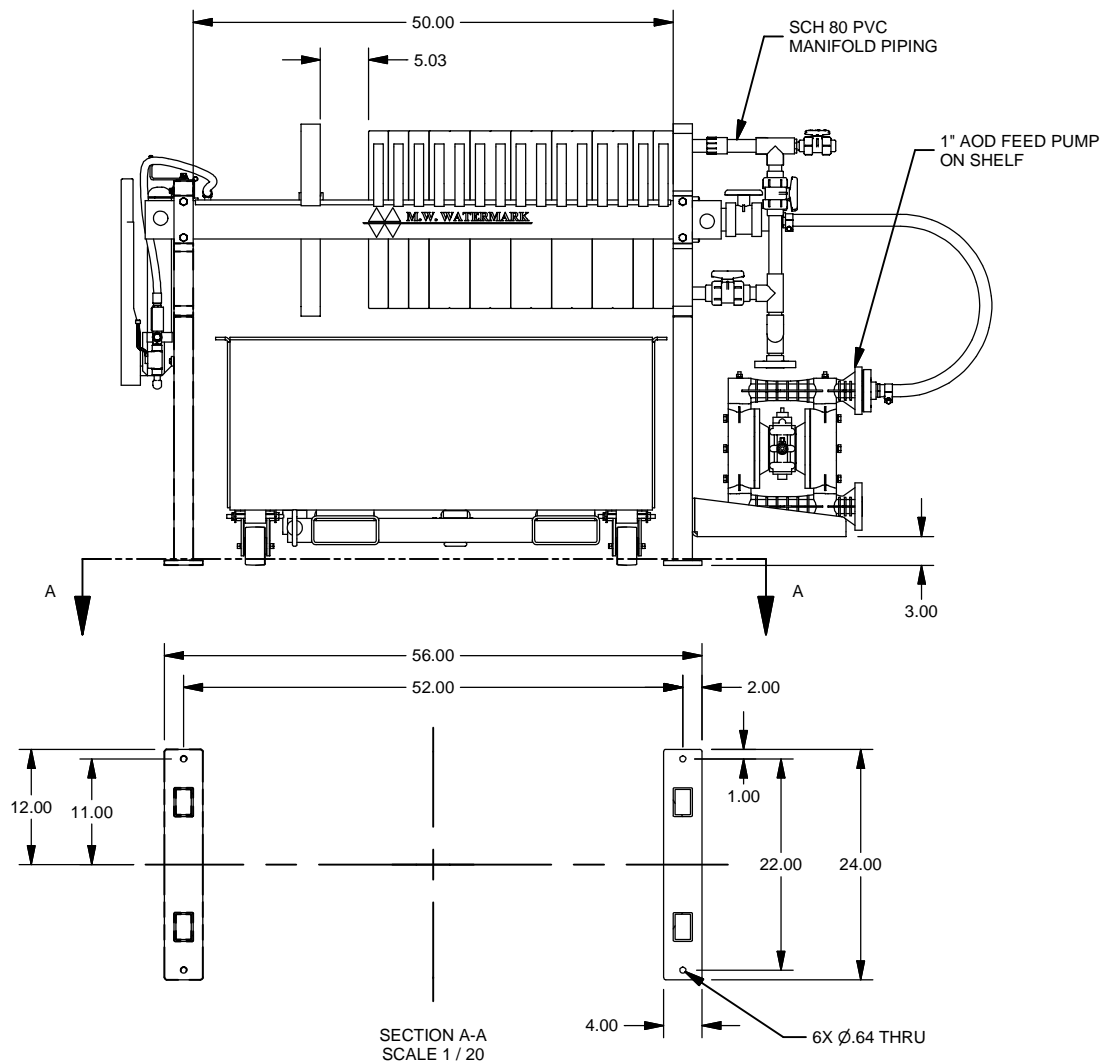
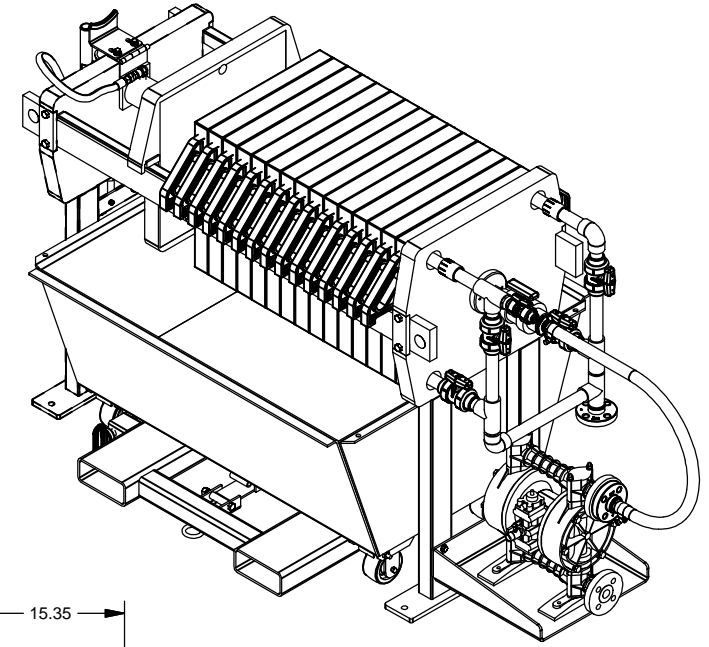
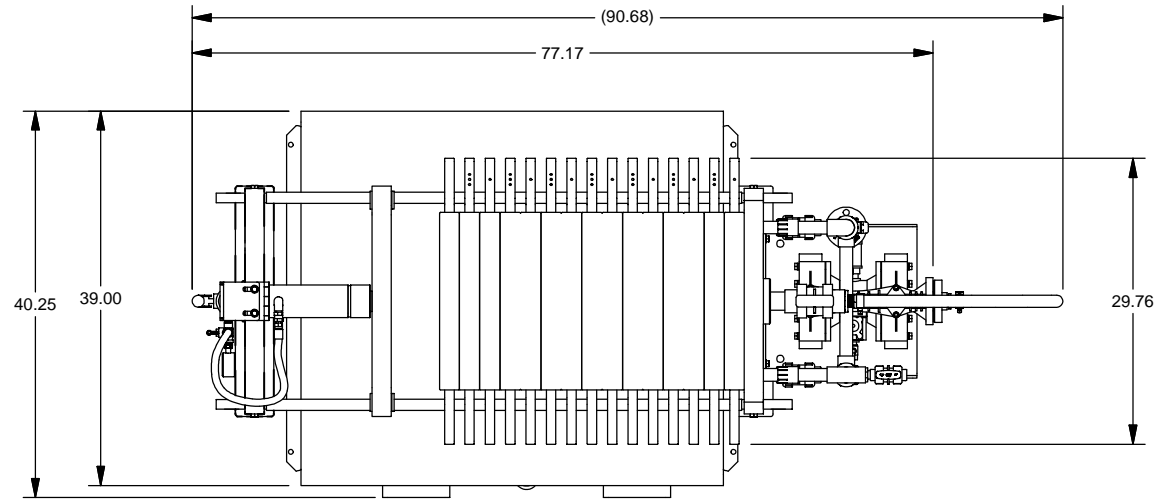
INSIDE COATING:

OUTSIDE COATING:

ADDITIONAL EQUIPMENT:

SPECIAL NOTES:

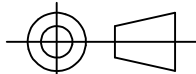
REFER TO DRAWING 40013170 FOR COATING NOTES



APPROXIMATE SHIPPING WEIGHT: 1220
 APPROXIMATE OPERATING WEIGHT: 1380
 BASED ON CAKE WEIGHT OF 80 LBS / CU FT.

SECTION A-A
 SCALE 1 / 20
 6X Ø.64 THRU

THIRD ANGLE PROJECTION



ALL WELD SYMBOL SIZES ARE MINIMUM REQUIRED.
 DIMENSIONS IN [mm] ARE MILLIMETERS.
 DO NOT SCALE DRAWING.
 DRAWN PER ASME Y14.5-2009

UNLESS OTHERWISE SPECIFIED ALL DIMENSIONS ARE IN INCHES AND TOLERANCES TO BE AS FOLLOWS.

FABRICATION	MACHINE
.XX ± .06	.XX ± .03
[X ± 2]	.XXX ± .005
< ± 2"	[X ± 1]
	< ± 1"

REV	DESCRIPTION	DATE	BY	ECN	REV	DESCRIPTION	DATE	BY	ECN

COMPANY CONFIDENTIAL
 THIS DOCUMENT AND ALL INFORMATION CONTAINED HEREIN ARE THE PROPERTY OF MW WATERMARK AND/OR ITS AFFILIATES. THE DESIGN CONCEPTS AND INFORMATION CONTAINED HEREIN ARE PROPRIETARY TO MW WATERMARK AND ARE SUBMITTED IN CONFIDENCE. THEY ARE NOT TRANSFERABLE AND MUST BE USED ONLY FOR THE PURPOSE FOR WHICH THE DOCUMENT IS EXPRESSLY LOANED. THEY MUST NOT BE DISCLOSED, REPRODUCED, LOANED OR USED IN ANY OTHER MANNER WITHOUT THE EXPRESS WRITTEN CONSENT OF MW WATERMARK. IN NO EVENT SHALL THEY BE USED IN ANY MANNER DETRIMENTAL TO THE INTEREST OF MW WATERMARK. ALL PATENT RIGHTS ARE RESERVED. UPON THE DEMAND OF MW WATERMARK, THIS DOCUMENT, ALONG WITH ALL COPIES AND EXTRACTS, AND ALL RELATED NOTES AND ANALYSES, MUST BE RETURNED TO MW WATERMARK OR DESTROYED AS INSTRUCTED BY MW WATERMARK. ACCEPTANCE OF THE DELIVERY OF THIS DOCUMENT CONSTITUTES AGREEMENT TO THESE TERMS AND CONDITIONS.

DWG BY S.JG	DATE 12/21/2016	TITLE FP470G32L-14-2MXX
CKD BY	DATE	CLIENT
FILE: 40025371_PM.idw		
SALES ORDER NUM:		
SCALE:	SERIAL NUMBER	DRAWING NUMBER 40025371_PM
		SHEET 1 OF 1
		REV 00