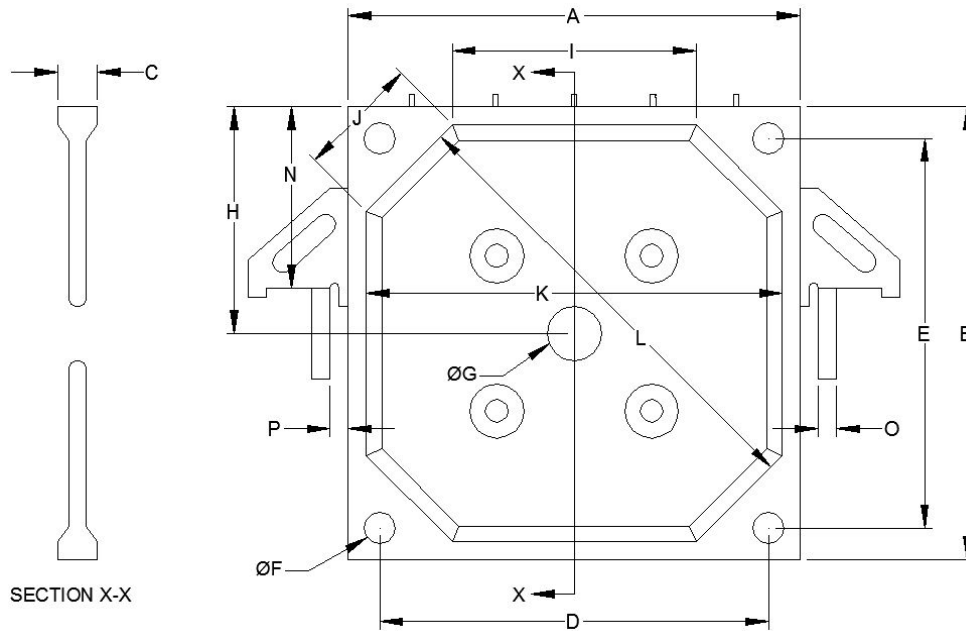


## NG FILTER PLATE QUESTIONNAIRE



Dim	Description	Metric (mm)	Imperial (inch)
A	Plate Width		
B	Plate Height		
C	Plate Thickness		
D	Corner Hole Horizontal Center to Center Distance		
E	Corner Hole Vertical Center to Center Distance		
F	Corner Hole Inside Diameter		
G	Feed Hole Diameter    Select One: <input type="checkbox"/> Corner <input type="checkbox"/> Center		
H	Feed Hole Distance to Top of Plate		
I	Groove Horizontal Segment Outside Edge to Outside Edge Distance		
J	Groove Diagonal Segment Outside Edge to Outside Edge Distance		
K	Chamber Horizontal Width		
L	Diagonal Chamber Distance		
N	Handle Distance to Top of Plate		
O	Side Rail Thickness		
P	Side Rail Clearance		

<b>Please enter contact information below:</b>	
<b>Company:</b>	
<b>Contact Name:</b>	
<b>Telephone:</b>	
<b>Email:</b>	
<b>Address:</b>	
<b>City / State / ZIP:</b>	

<b>Enter filter press information below:</b>		
<b>T</b>	<b>Press Make:</b>	
<b>U</b>	<b>Feed Pressure:</b>	
<b>V</b>	<b>Cake Thickness:</b>	
<b>X</b>	<b>Porting†:</b>	
<b>Z</b>	<b>Fluid Temp (°F):</b>	

† Filter plate porting as viewed from the manifold end of the filter press. Normally indicated by either a 1-button or 3-button marking on the side of the plate.