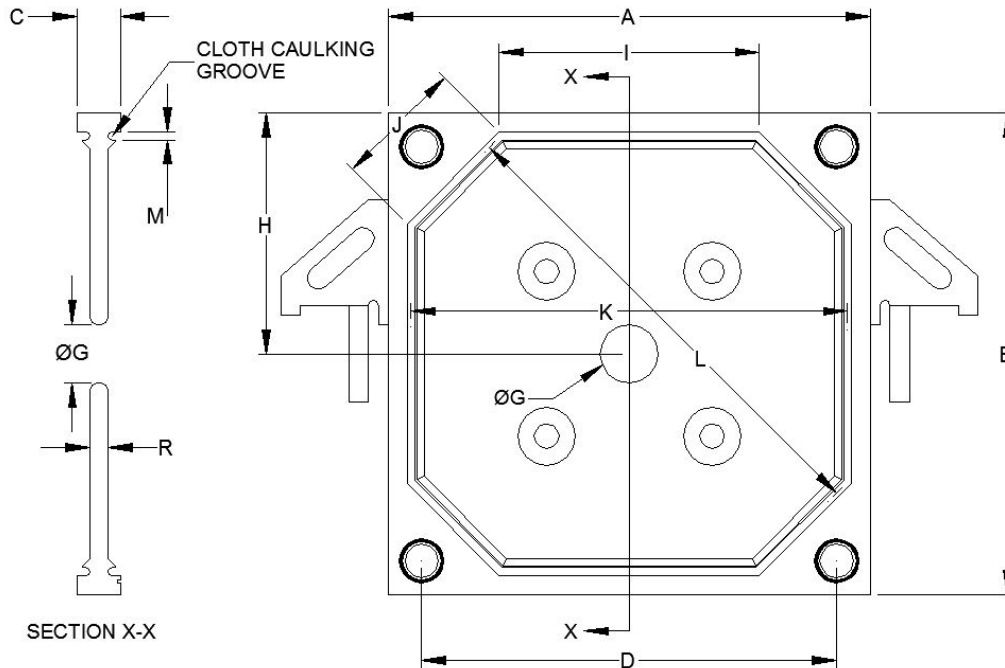


### CGR FILTER CLOTH QUESTIONNAIRE



Dim	Description	Metric (mm)	Imperial (inch)
A	Plate Width		
B	Plate Height		
C	Plate Thickness		
D	Corner Hole Horizontal Center to Center Distance		
G	Feed Hole Diameter    Select One: <input type="checkbox"/> Corner <input type="checkbox"/> Center		
H	Feed Hole Distance to Top of Plate		
I	Cloth Groove Horizontal Segment Outside Edge to Outside Edge Distance		
J	Cloth Groove Diagonal Segment Outside Edge to Outside Edge Distance		
K	Cloth Groove Outside Edge to Outside Edge Distance		
L	Diagonal Cloth Groove Center to Center Distance		
M	Cloth Groove Width		
R	Web Thickness (Including "Pips")		

Please enter contact information below:	
Company:	
Contact Name:	
Telephone:	
Email:	
Address:	
City / State / ZIP:	

Enter filter press information below:		
T	Press Make:	
U	Feed Pressure:	
V	Cake Thickness:	
Y	Cloth Material:	
Cloth Qty Intermediate:		
Cloth Qty End:		