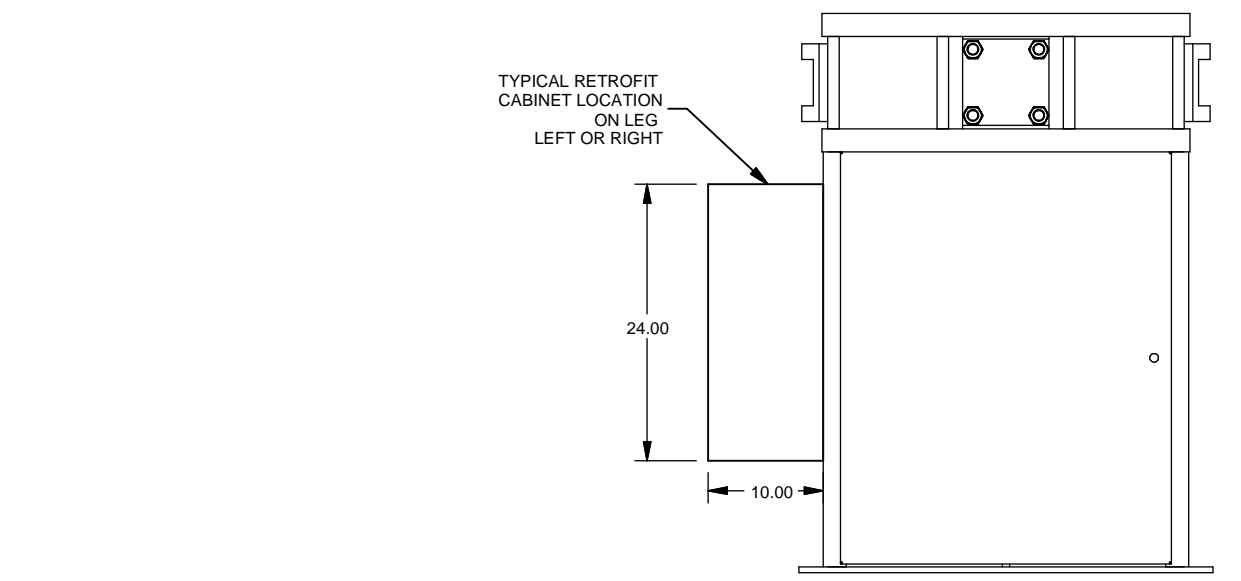
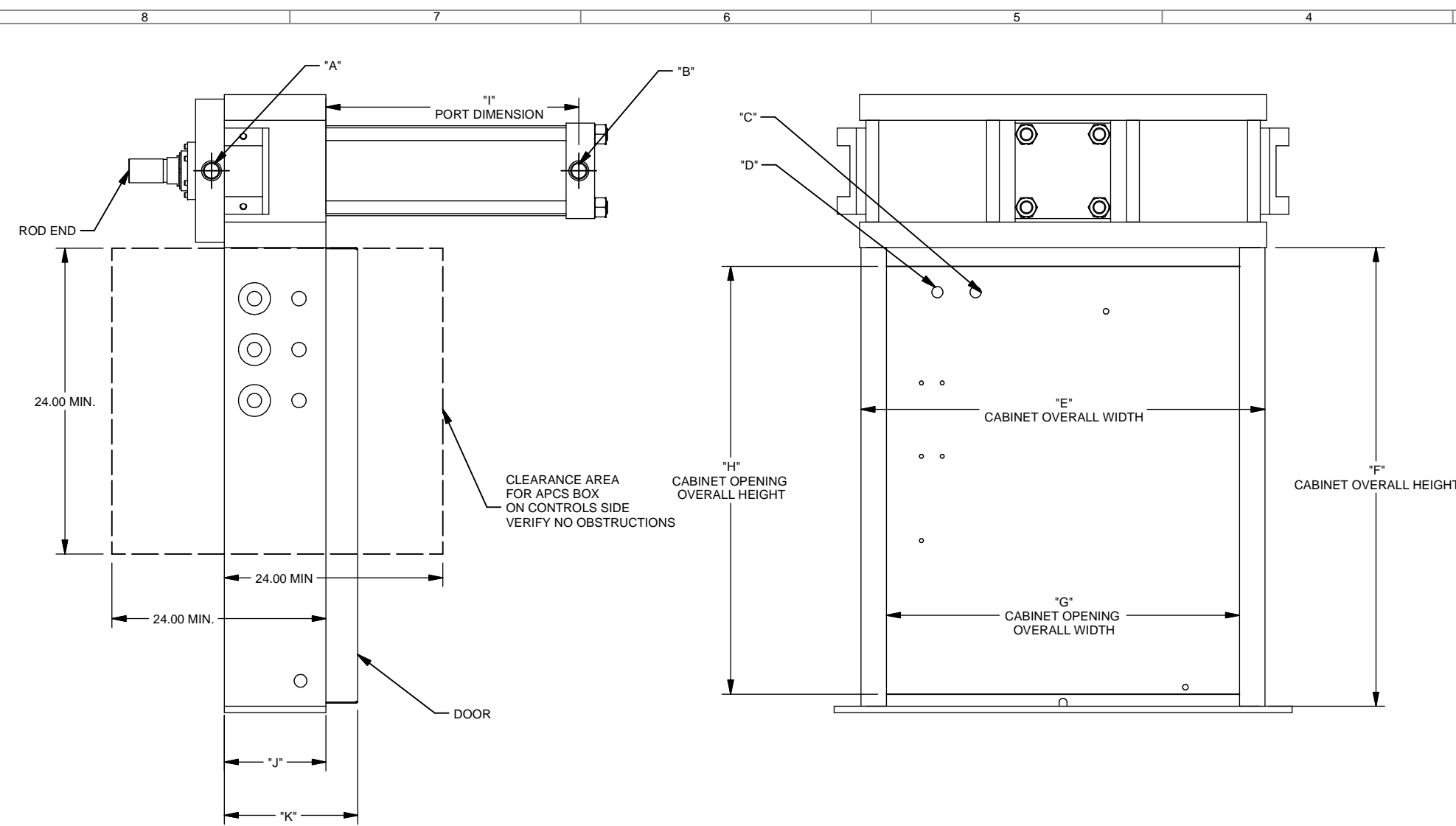


NOTES:
1. THIS DRAWING IS USED FOR MW WATERMARK INTERNAL DOCUMENT NUMBER DOC00026.

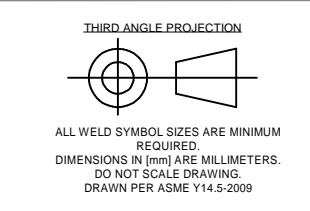


PLEASE PROVIDE PHOTOS OF THE FOLLOWING:
 -CURRENT APCS BOX AND CONTROL AREA
 -ALL SIDES OF THE HYDRAULIC ENCLOSURE
 -ALL SIDES OF EXISTING CONTROL PANEL
 -ALL SIDES OF EXISTING FEED PUMP
 -PILOT REGULATOR

Please enter your Contact Information below:

Contact Name:	
Email Address:	
Company:	
Address:	
City/State/Zip:	
Telephone:	

INFORMATION TABLE	
DESCRIPTION	RESPONSE
FILTER PRESS MANUFACTURER	
FILTER PRESS MODEL NUMBER	
FILTER PRESS SERIAL NUMBER	
EXISTING HYDRAULIC TYPE	AIR ELECTRIC (Check one)
VOLTAGE AVAILABLE (3pH required for Electric Hydraulic)	480/3/60 120/1/60 (Check all that apply)
IS CURRENT HYDRAULIC RAM IN GOOD WORKING CONDITION?	YES NO UNKNOWN (Check one)
HYDRAULIC RAM ID TAG INFO (Serial Number, Model Number, Manufacturer, etc.)	
HYDRAULIC RAM ROD DIAMETER AND END CONNECTION TYPE (EX. 4.5" DIA, THREADED)	
HYDRAULIC RAM BORE DIAMETER AND AVAILABLE STROKE	
("A") HYDRAULIC RAM PORT SIZE/TYPE ROD END (EX. 3/4" SAE, 1" NPT)	
("B") HYDRAULIC RAM PORT SIZE/TYPE PISTON END (EX. 3/4" SAE, 1" NPT)	
("C") BULKHEAD FITTING (THROUGH CABINET) SIZE/TYPE ROD END HYDRAULIC LINE	1/2" 3/4" OTHER
("D") BULKHEAD FITTING (THROUGH CABINET) SIZE/TYPE PISTON END HYDRAULIC LINE	1/2" 3/4" OTHER
CABINET "E" DIMENSION	
CABINET "F" DIMENSION	
CABINET "G" DIMENSION	
CABINET "H" DIMENSION	
CABINET "I" DIMENSION	
CABINET "J" DIMENSION	
CABINET "K" DIMENSION	
DOES PRESS HAVE A FUNCTIONAL AUTOMATIC FEED PUMP CONTROL SYSTEM (APCS)?	
IF NO APCS, IS APCS NEEDED?	
DISTANCE FROM AOD PUMP TO APCS CONTROL PANEL	
PRESS FEED PRESSURE	100 PSI 225 PSI (Check one)
FILTER PLATE TYPE	RECESSED PLATE & FRAME OTHER
PLATE QUANTITY	
PLATE SIZE MAX (L x W x THICKNESS)	



UNLESS OTHERWISE SPECIFIED ALL DIMENSIONS ARE IN INCHES AND TOLERANCES TO BE AS FOLLOWS.

FABRICATION	MACHINE
.XX ± .06 [X ± 2] < ± 2"	.XX ± .03 .XXX ± .005 [X ± 1] < ± 1"

REV	DESCRIPTION	DATE	BY	ECN	REV	DESCRIPTION	DATE	BY	ECN
1	UPDATED DRAWING PER JIM'S COMMENTS	4/29/2011	MRH						

COMPANY CONFIDENTIAL
 THIS DOCUMENT AND ALL INFORMATION CONTAINED HEREIN ARE THE PROPERTY OF MW WATERMARK AND/OR ITS AFFILIATES. THE DESIGN CONCEPTS AND INFORMATION CONTAINED HEREIN ARE PROPRIETARY TO MW WATERMARK AND ARE SUBMITTED IN CONFIDENCE. THEY ARE NOT TRANSFERABLE AND MUST BE USED ONLY FOR THE PURPOSE FOR WHICH THE DOCUMENT IS EXPRESSLY LOANED. THEY MUST NOT BE DISCLOSED, REPRODUCED, LOANED OR USED IN ANY OTHER MANNER WITHOUT THE EXPRESS WRITTEN CONSENT OF MW WATERMARK. IN NO EVENT SHALL THEY BE USED IN ANY MANNER DETRIMENTAL TO THE INTEREST OF MW WATERMARK. ALL PATENT RIGHTS ARE RESERVED. UPON THE DEMAND OF MW WATERMARK, THIS DOCUMENT, ALONG WITH ALL COPIES AND EXTRACTS, AND ALL RELATED NOTES AND ANALYSES, MUST BE RETURNED TO MW WATERMARK OR DESTROYED, AS INSTRUCTED BY MW WATERMARK. ACCEPTANCE OF THE DELIVERY OF THIS DOCUMENT CONSTITUTES AGREEMENT TO THESE TERMS AND CONDITIONS.

DWG BY MRH	DATE 11/11/2010	TITLE ELECTRO-HYDRAULIC RETROFIT QUESTIONNAIRE
CKD BY	DATE	CLIENT
FILE: 40006796.idw	SALES ORDER NUM:	 www.mwwatermark.com
SCALE:		
SERIAL NUMBER	DRAWING NUMBER 40006796	SHEET 1 OF 1
		REV 1