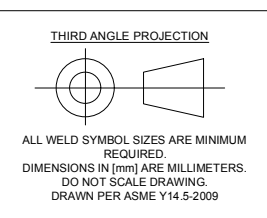


APPROXIMATE SHIPPING WEIGHT: 5,200 LBS



UNLESS OTHERWISE SPECIFIED ALL DIMENSIONS ARE IN INCHES AND TOLERANCES TO BE AS FOLLOWS.

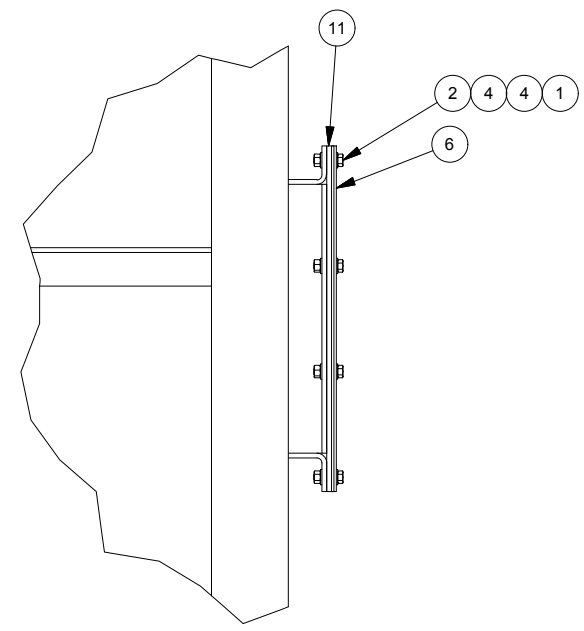
FABRICATION	MACHINE
XX ± .06	XX ± .03
[X ± 2]	XXX ± .005
< ± 2	[X ± 1]
	[.X ± .1]
	< ± 1"

REV	DESCRIPTION	DATE	BY	ECN	REV	DESCRIPTION	DATE	BY	ECN

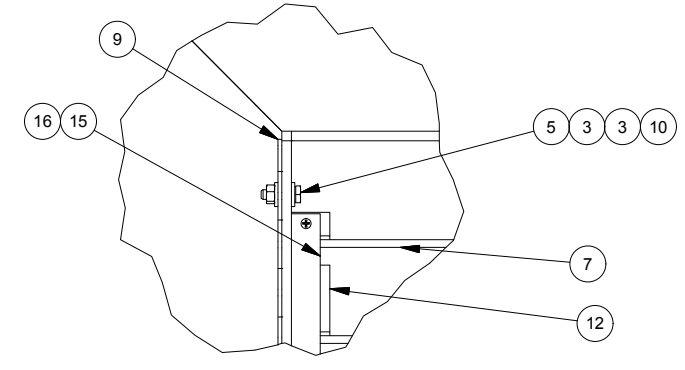
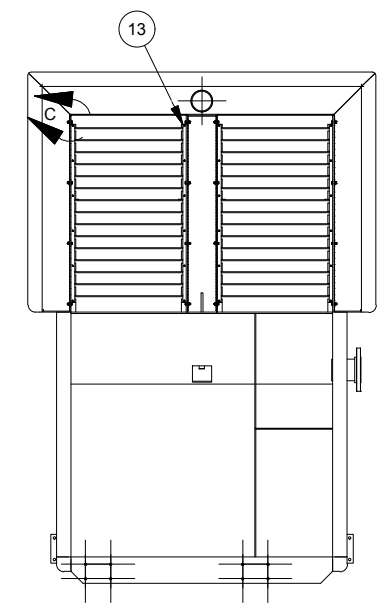
COMPANY CONFIDENTIAL
THIS DOCUMENT AND ALL INFORMATION CONTAINED HEREIN ARE THE PROPERTY OF M.W. WATERMARK AND/OR ITS AFFILIATES. THE DESIGN CONCEPTS AND INFORMATION CONTAINED HEREIN ARE PROPRIETARY TO M.W. WATERMARK AND ARE SUBMITTED IN CONFIDENCE. THEY ARE NOT TRANSFERABLE AND MUST BE USED ONLY FOR THE PURPOSE FOR WHICH THE DOCUMENT IS EXPRESSLY LOANED. THEY MUST NOT BE DISCLOSED, REPRODUCED, LOANED OR USED IN ANY OTHER MANNER WITHOUT THE EXPRESS WRITTEN CONSENT OF M.W. WATERMARK. WHOEVER SHALL THEY BE USED IN ANY MANNER DETRIMENTAL TO THE INTEREST OF M.W. WATERMARK, ALL PATENT RIGHTS ARE RESERVED. UPON THE DEMAND OF M.W. WATERMARK, THIS DOCUMENT, ALONG WITH ALL COPIES AND EXTRACTS, AND ALL RELATED NOTES AND ANALYSES, MUST BE RETURNED TO M.W. WATERMARK OR DESTROYED, AS INSTRUCTED BY M.W. WATERMARK. ACCEPTANCE OF THE DELIVERY OF THIS DOCUMENT CONSTITUTES AGREEMENT TO THESE TERMS AND CONDITIONS.

DWG BY	SRJ	DATE	11/8/2017
CKD BY		DATE	
FILE:	40031189.idw		
SALES ORDER NUM:			
SCALE:	NONE		

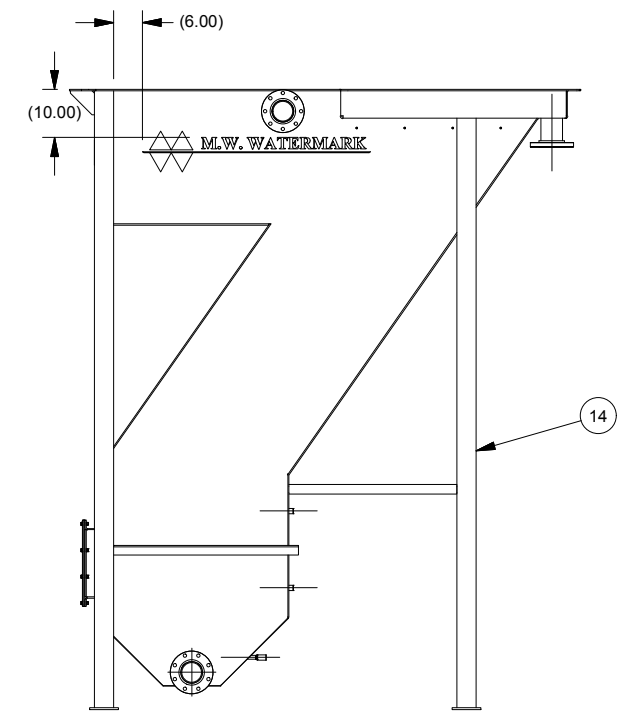
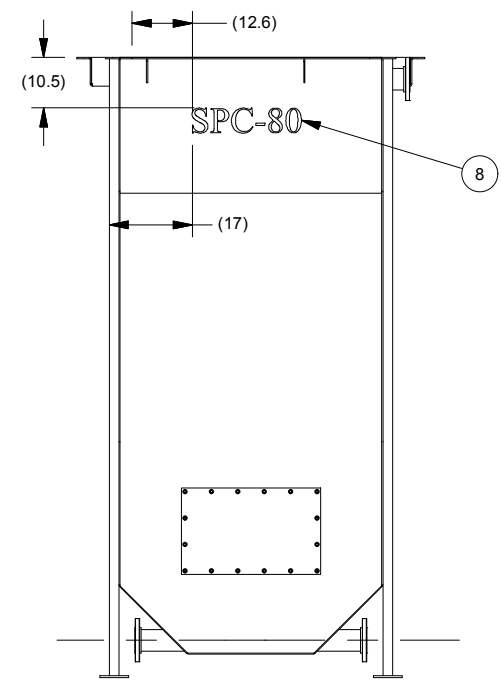
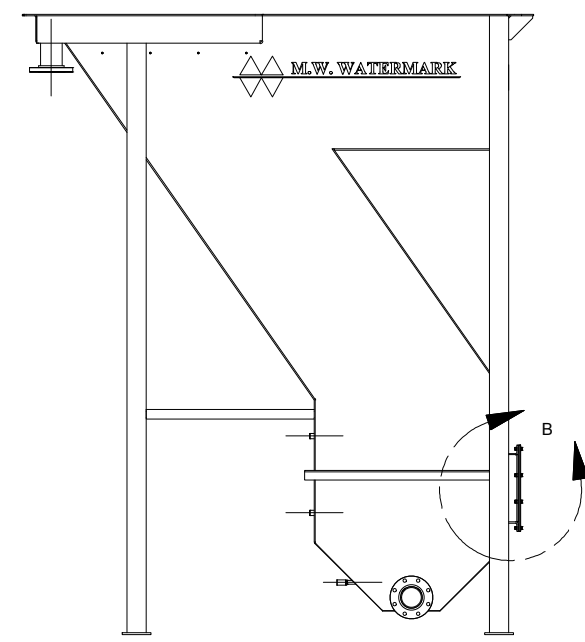
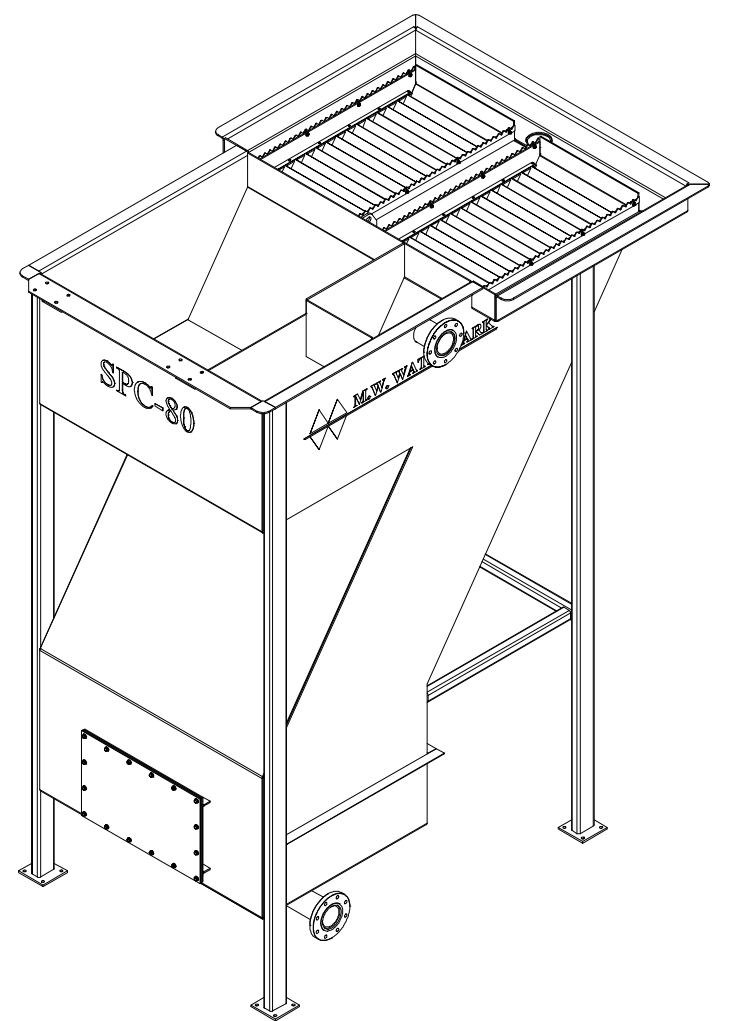
TITLE	SPC-80 SLANT PLATE CLARIFIER 80GPM			
CLIENT				
 M.W. WATERMARK L.L.C. www.mwwatermark.com				
SERIAL NUMBER	DRAWING NUMBER	SHEET	REV	
	40031189	1 OF 2	00	



DETAIL B
SCALE .1

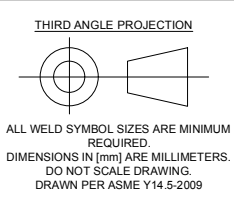


DETAIL C
SCALE .2



- GENERAL ASSEMBLY NOTES:**
1. TORQUE ALL FASTENERS PER MFG GUIDELINES.
 2. USE APPROPRIATE SEALANT ON ALL TAPERED PIPE CONNECTIONS.
 3. USE APPROPRIATE THREAD LOCKING AGENT WHERE NECESSARY.
 4. FOR MANIFOLDS, SEE GA DRAWING FOR ALL TERMINATION LOCATIONS.
 5. FINISH: SEE COATING SPEC

ITEM	QTY	PART NUMBER	DESCRIPTION	MASS
17	2	40009289	LABEL MW WATERMARK/LOGO 8.50" X 47.50"	.07 lbmass
16	24	40013343	SCREW PHILLIPS ROUND HEAD SHEET METAL #8-15 X 5/8" SS	.00 lbmass
15	4	40029674	RETAINER- SPC80 PVC SHEET	.97 lbmass
14	1	40031188	CLARIFIER SPC-80 WELDMENT	3451.29 lbmass
13	2	40023893	PACK SIDE PVC SLIDE SPC-80 OPP	79.47 lbmass
12	2	40023892	PACK SIDE PVC SLIDE SPC-80	79.49 lbmass
11	1	40023084	GASKET - EPDM 50 DUROMETER CLEANOUT	6.62 lbmass
10	16	40012139	NUT HX 1/4-20 NYLON LOCKNUT	.00 lbmass
9	4	40012136	STAINLESS WEIR SPC-80	1.32 lbmass
8	1	40008223	LABEL SPC-80 5.00 X 23.00 WHITE	.01 lbmass
7	30	40007377	PVC SHEET 1/4 X 23.25 X 72	21.17 lbmass
6	1	40007271P	CLARIFIER CLEANOUT DOOR 18.00" X 29.00"	36.92 lbmass
5	16	40004915	SCREW HX HD 18-8 SS 1/4-20 X 7/8	.02 lbmass
4	32	40003926	WASHER FLT 3/8 SS	.01 lbmass
3	32	40003918	WASHER FLT 1/4 SS	.01 lbmass
2	16	40003910	SCREW HX HD 18-8 SS 3/8-16 X 1.25" (FLOOR STOCK)	.06 lbmass
1	16	40001351	NUT HX 3/8-16 18-8 SS (FLOOR STOCK)	.02 lbmass



UNLESS OTHERWISE SPECIFIED
ALL DIMENSIONS ARE IN INCHES
AND TOLERANCES TO BE AS FOLLOWS.

FABRICATION	MACHINE
XX ± .06	XX ± .03
[X ± 2]	XXX ± .005
< ± 2	[X ± 1]
	[.X ± .1]
	< ± 1"

REV	DESCRIPTION	DATE	BY	ECN	REV	DESCRIPTION	DATE	BY	ECN

COMPANY CONFIDENTIAL
THIS DOCUMENT AND ALL INFORMATION CONTAINED
HEREIN ARE THE PROPERTY OF M.W. WATERMARK AND ITS
AFFILIATES. THE DESIGN CONCEPTS AND INFORMATION
CONTAINED HEREIN ARE PROPRIETARY TO M.W. WATERMARK
AND ARE SUBMITTED IN CONFIDENCE. THEY ARE
NOT TRANSFERABLE AND MUST BE USED ONLY FOR
THE PURPOSES FOR WHICH THE DOCUMENT IS
EXPRESSLY LOANED. THEY MUST NOT BE DISCLOSED,
REPRODUCED, LOANED OR USED IN ANY OTHER
MANNER WITHOUT THE EXPRESS WRITTEN CONSENT
OF M.W. WATERMARK. WHOEVER SHALL, THEY BE USED IN ANY
MANNER DETRIMENTAL TO THE INTEREST OF M.W. WATERMARK,
ALL PATENT RIGHTS ARE RESERVED. UPON THE DEMAND
OF M.W. WATERMARK, THIS DOCUMENT, ALONG WITH ALL COPIES
AND EXTRACTS, AND ALL RELATED NOTES AND
ANALYSES, MUST BE RETURNED TO M.W. WATERMARK OR
DESTROYED, AS INSTRUCTED BY M.W. WATERMARK. ACCEPTANCE
OF THE DELIVERY OF THIS DOCUMENT CONSTITUTES
AGREEMENT TO THESE TERMS AND CONDITIONS.

DWG BY: SRJ
DATE: 11/8/2017
CKD BY: DATE:
FILE: 40031189.idw
SALES ORDER NUM:
SCALE: NONE

TITLE: SPC-80 SLANT PLATE CLARIFIER 80GPM

CLIENT:

M.W. WATERMARK L.L.C.
www.mwwatermark.com

SERIAL NUMBER: 40031189
DRAWING NUMBER: 40031189
SHEET: 2 OF 2
REV: 00